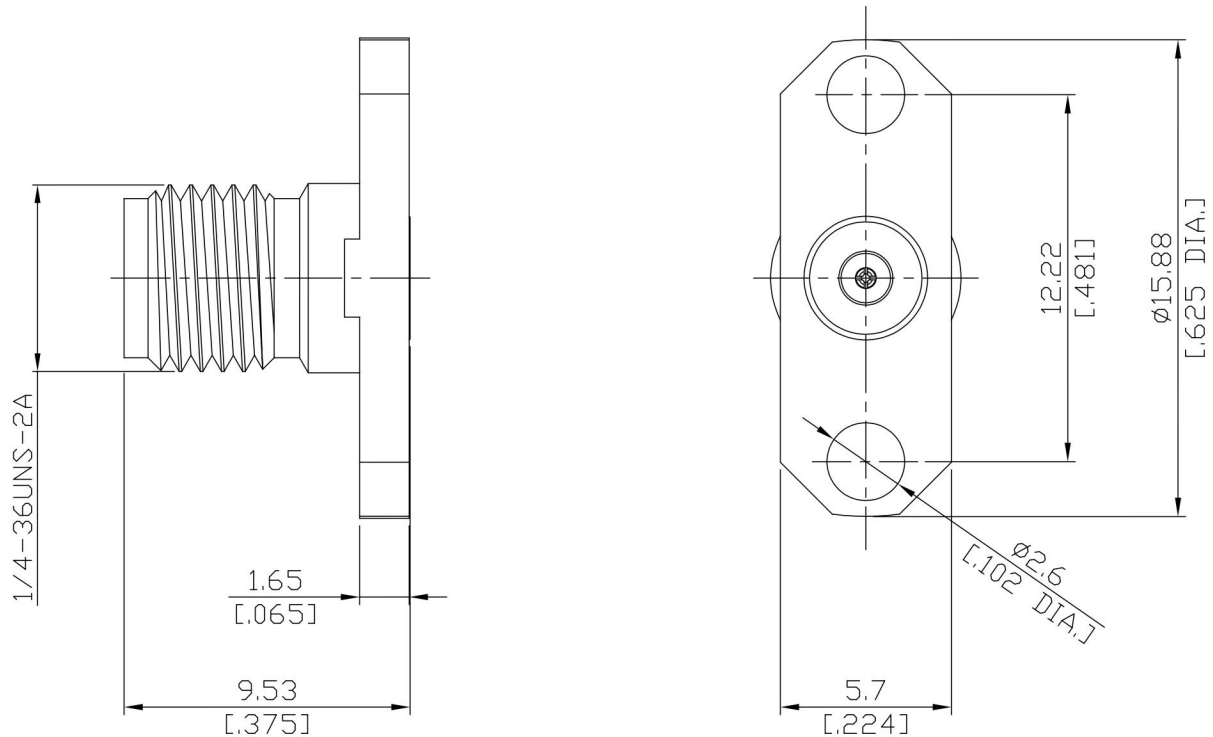


RPC2.92 Straight Field Replaceable Jack

K2BT50-0020A/9X



All dimensions are in mm [inch]

Tolerances according to DIN ISO 2768-mH

Interface

According to IEC 61169-35; MIL-STD-348A

Electrical Data

Impedance 50 Ω
 Frequency DC to 40 GHz
 VSWR (Return loss) DC to 27 GHz: ≤ 1.10 (≥ 26.44 dB)
 27 GHz to 40 GHz: ≤ 1.15 (≥ 23.13 dB)
 Insertion loss ≤ 0.3 dB

Mechanical Data

Coupling mechanisms Screw-lock
 Weight N/A
 Accept Pin 0.51 mm (.020 inch)

Environmental Data

Temperature range -55°C to +165°C
 RoHS compliant

Material And Plating

Piece Parts	Material	Plating
Centre contact	Beryllium Copper	Gold plating(Nickel underplated)
Body	Stainless Steel	Passivated
Insulator	PS	

Packing

Single or 100